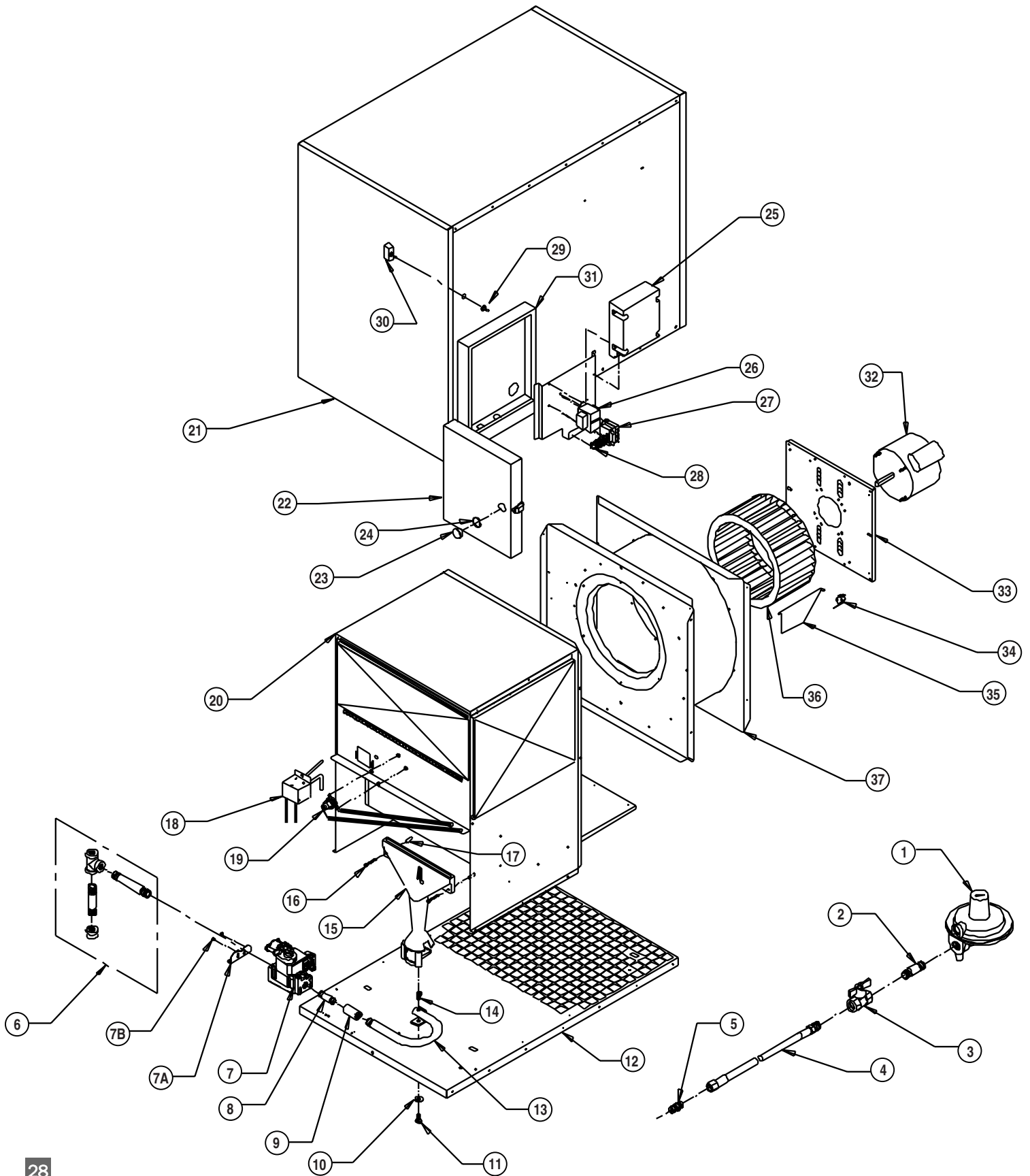


Parts Identification

**GreenGro 220 Plus
Model HD220D**

PARTS SCHEMATIC



Parts Identification

GreenGro 220 Plus Model HD220D

PARTS LIST

Item	Description	Part Number
1	Regulator, LP Gas	06553
	Regulator, Natural Gas	23360
2	Nipple, 1/2 x 3 1/2 in.	07148
3	Valve, Manual Shut Off	05548
4	Hose, 1/2 x 10 ft., Rigid x Swivel	20714
5	Adapter, Hose, 1/2 NPT x 1/2 NPS	02894
6	Kit, Sediment Trap	00815
7	Valve, Gas Control, LP Gas	23835
	Valve, Gas Control, Natural Gas	23836
7A	Bracket	21768
7B	Screw	09425
8	Nipple, 1/2 x 3 1/2 in.	07148
9	Coupling	03130
10	Washer	01589
11	Bolt	02692
12	Base	23522
13	Manifold, U-shape	09019
14	Orifice, LP Gas	23471
	Orifice, Natural Gas	23470
15	Burner	21781
16	Screw	02688
17	Spacer	02687
18	Igniter/Sensor Assembly	23780
19	Switch, High Limit	05566
20	Heat Chamber	23473
21	Case Assembly, w/ Doors & Latches ⁽¹⁾	23482
22	Cover, Control Box ⁽²⁾	23481
23	Plug, Window	08255
24	O-Ring	08347
25	Ignition Control	24900
26	Transformer	09615
27	Relay, Motor	08685
28	Terminal Strip	22905
29	Boot, Toggle Switch	09916
30	Toggle Switch	09915
31	Control Box Back, w/ Clasp	23845
32	Motor	115 Volt 24799 230 Volt 08635
33	Mount, Motor	08647
34	Switch, Air Proving	02680
35	Sail Flapper	08658
36	Fan Wheel	08636
37	Fan Housing, w/ Flapper, Air Proving Switch, & Motor Mount	115 Volt 24951 230 Volt 08798

(1) Specify fuel type when ordering.

(2) Complete control box assembly with all control components is Part # 23480.

(3) Screw part number 07288 (#8 x 3/8) is the standard fastener used for assembly of all sheet metal components.