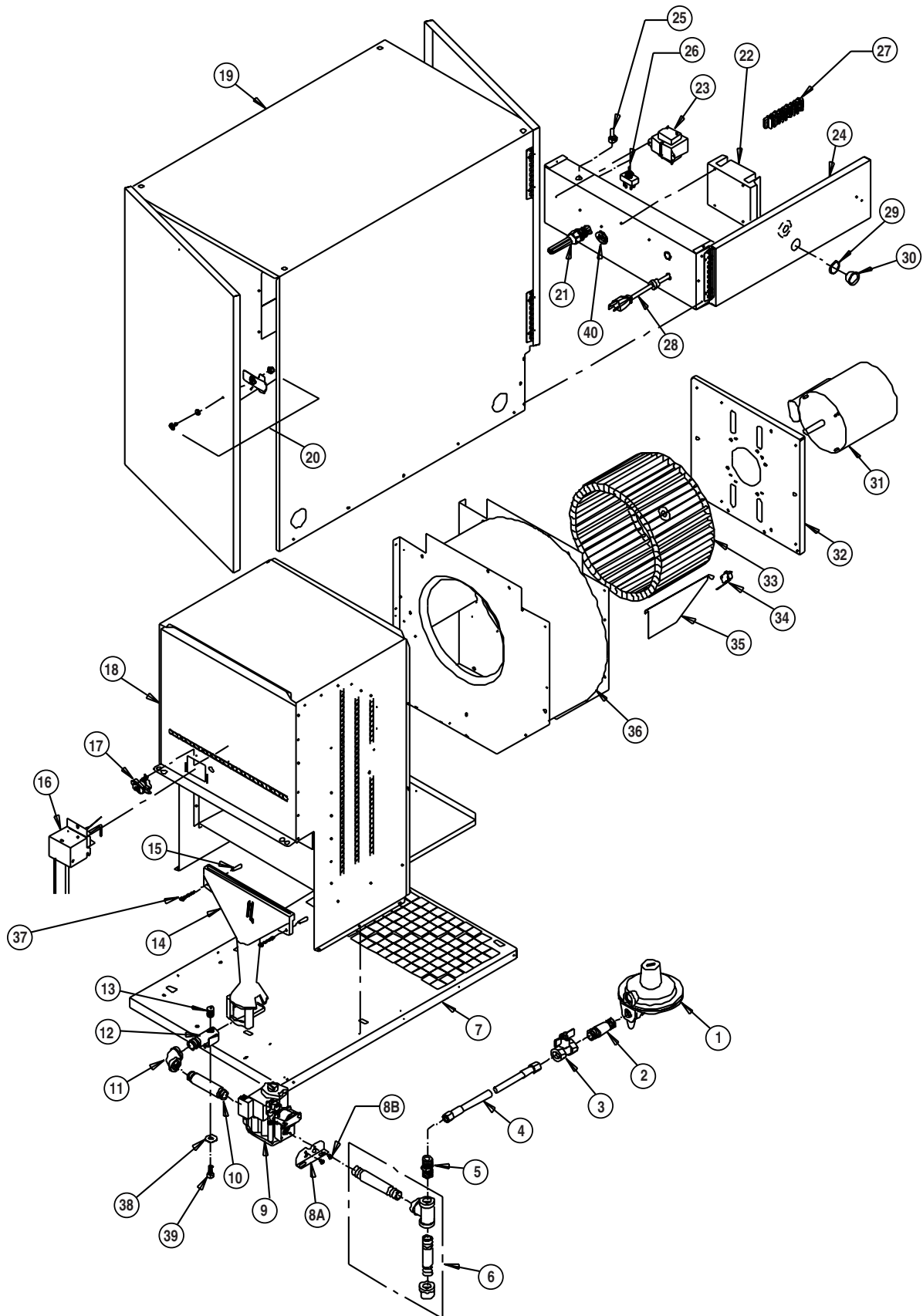


Parts Identification

GreenGro 120 Plus Model HD120B

PARTS SCHEMATIC



Parts Identification

GreenGro 120 Plus Model HD120B

PARTS LIST

Item	Description	Part Number
1	Regulator, LP Gas, 2nd Stage, Vent Over Outlet	06553
	Regulator, LP Gas, 2nd Stage, Vent Over Side	06665
	Regulator, Natural Gas (5 PSIG Inlet, 13.5 Outlet)	23360
2	Nipple, 3 1/2 in.	07148
3	Valve, Manual Shut Off	05548
4	Hose, 1/2 in. ID x 10 ft. with Adapter	20714
5	Adapter, Hose, 1/2 NPT x 1/2 NPS	02894
6	Kit, Sediment Trap	00815
7	Base	23523
8A	Bracket, Gas Control Valve	21768
8B	Screw, 8-32 x 1/4	09425
9	Valve, Gas Control: LP Gas	23835
	Valve, Gas Control: Natural Gas	23836
10	Nipple, 1/2 in. x 3 in.	02972
11	Elbow	01426
12	Manifold	09291
13	Orifice, Burner: LP Gas	23530
	Orifice, Burner: Natural Gas	23531
14	Burner	21724
15	Spacer	02687
16	Igniter and Sensor Assembly	22473
17	Switch, High Limit	05566
18	Chamber, Heat	23566
19	Case, Assembly with Doors and Latches (2)	20465
20	Latch Assembly	20959
21	Harness, Wiring	23534
22	Control, Ignition	24900
23	Transformer, 120/24 v.	81218
24	Cover, Control Box, w/ Hinge & Window Plug	23550
25	Boot, Selector Switch	09916
26	Selector Switch	09915
27	Terminal Strip	22905
28	Cord, Power, 10 ft.	23574
29	O-Ring	08347
30	Plug, Window	08255
31	Motor, 1/3 HP, Ball Bearing	20169
32	Mount, Motor	08647
33	Wheel, Fan	09050
34	Switch, Air Proving	02680
35	Flapper	21035
36	Complete Fan Housing Assembly, w/ Motor, Fan Wheel, Air Proving Switch, Flapper, and Motor Mount	20148
37	Screw, Burner	02688
38	Washer	01589
39	Bolt	02692
40	Grommet, w/ Hole	21851

(1) Complete control box assembly with all control components is part number 23539.

(2) Specify model number and fuel type when ordering.

(3) Screw part number 07288 (#8 x 3/8) is the standard fastener used for assembly of all sheet metal components.